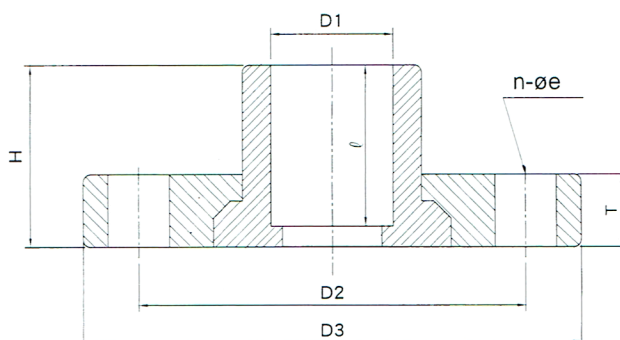




CHVS Series 二片式法兰 UPVC&CPVC

SIZE: 1/2"-24"
UPVC & CPVC
VAN STONE FLANGE
150 PS1/SCH 80



DN15~DN600

DIMENSIONS TABLE

Nom. Size DN(inch)	D1	D2	D3	H	T	ℓ	n	Ø
15(1/2")	1-1/32	2-3/8	3-1/2	1.0	1/2	2-1/32	4	9/16
20(3/4")	1-7/18	2-3/4	3-7/8	1-1/8	17/32	1-7/32	4	9/16
25(1")	1-3/4	3-1/8	4-1/4	1-9/32	21/32	1-9/32	4	19/32
32(1-1/4")	2-3/32	3-1/2	4-5/8	1-13/32	21/32	2-3/32	4	1/2
40(1-1/2")	2-3/8	3-7/8	4-31/32	1-1/2	23/32	3/4	4	5/6
50(2")	2-7/8	4-3/4	6.0	1-21/32	3/4	2-5/32	4	5/6
65(2-1/2")	3-19/32	5-1/2	6-31/32	1-21/32	15/16	1-3/8	4	5/6
80(3")	4-7/32	6.0	7-1/2	2-1/2	1.0	1-13/32	4	23/32
100(4")	5-1/4	7-1/2	9.0	2-1/2	13/32	1-13/32	8	23/32
150(6")	7-9/16	9-1/2	11-3/18	3-9/32	11/4	2-1/2	8	7/8
200(8")	9-3/8	11-3/4	13-1/2	4-5/8	1-13/32	3-1/18	8	7/8
250(10")	11-3/4	14-1/4	16.0	5-29/32	1-21/32	4-27/32	12	15/16
300(12")	13-11/16	17.0	18-15/18	7-17/32	1-21/32	6-1/2	12	1.0
350(14")	14-9/16	18-3/4	20-31/32	-	1-1/8	-	12	1-1/16
400(16")	16-9/16	21-1/4	23-1/2	-	1-1/8	-	16	1-1/8
▲ 450(18")	18-1/2	22-9/16	25	-	1-1/8	-	16	1-1/4
▲ 500(20")	20-1/2	25	27-1/2	-	1-1/8	-	20	1-1/4
▲ 600(24")	24-13/16	29-1/2	32	-	1-1/8	-	20	1-3/8

▲为手工製品 The ones with ▲ mark are the fabricated type