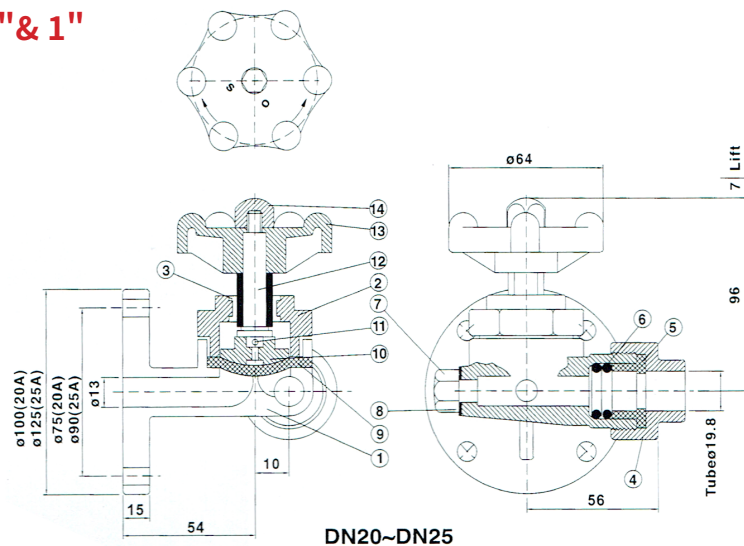




CHGV Series 水位计凡而

SIZE: 3/4" & 1"



MATERIALS OF CONSTRUCTION

No.	Parts	Pcs.	Materials	No.	Parts	Pcs.	Materials
1	Body	1	UPVC, PP, PPG, PVDF	8	Leaking Hole O'ring	1	EPDM, VITON
2	Bonnet	1	UPVC, PP, PPG, PVDF	9	Diaphragm	1	EPDM, VITON
3	Inserted Metal Of Bonnet	1	BRASS	10	Compressor	1	BRASS
4	Tube Holder	1	UPVC, PP, PPG, PVDF	11	Set Pin	2	SUS304
5	O'ring Holder	1	UPVC, PP, PPG, PVDF	12	Stem	1	BRASS
6	Tube O'ring	2	EPDM, VITON	13	Handle	1	ABS
7	Leaking Hole Holder	1	UPVC, PP, PVDF	14	Handle Holder	1	UPVC

DIMENSIONS TABLE

Flange Size	Nominal Size	Outer diameter of tube
20A-3/4"	14 m/m	18 m/m
25A-1"	14 m/m	18 m/m

※ Standard dimensions based on PVC material Standard