



CHEF Series 旋转凡而 (电动式)

SIZE: 2"-14"

1. 产品特性:
2. 马力小, 用电省, 扭力大, 控制角度到达自动切断电源, 保持在不用电的状态, 节约能源, 降低成本。符合电压 AC100V, 200V 单向, AV200V, 380V, 440, 三相, 可供应。
3. 协羽旋转凡而, 设计简单、质轻、坚固适用于空间有限, 维修其短之场合。旋转即即全开、全关, 适用于调节流量, 易磨损或黏稠性之流体, 及抗酸、耐。
4. 开吞速度平稳, 能消除管内水槌, 增加管件寿命。马达装有温度保护开关凡而如有异物卡住, 马达亦不会烧毁。
5. 机种多, 可任选择, 有不附手动型或有附手动型, 再停电时, 可用手动操作开阀。装配附件少, 只有一条电线即能完成自动控制, 为你节省人力、物力、财力支出达到自动化目的。

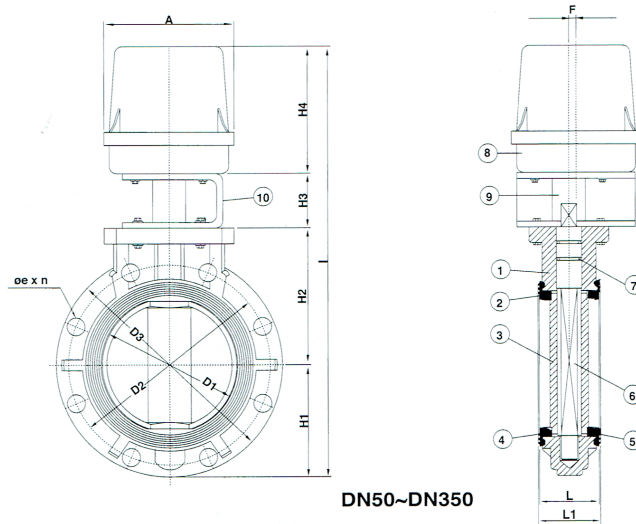
Features of the Product:

1. Low horse power, low power consumption, big torsion power can be cut off automatically when control angle has been reached. It maintains at the condition of no power consumption to save energy and to reduce cost for conforming to AC110V, 220V single phase, AV 220V, 380V, 440V, 3 phase power supply.
2. They are simple, lightweight and compact, and are ideal for use where either space is limited or service and maintenance must be performed quickly. Because they require only 90 to fully open or close. Shie Yu Butterfly Valves are easily automated and are widely used as efficient throttling or flow regulating valves. Additionally, they are excellent for handling abrasive or slurry-type fluids. Of course, they are acid & alkali proof and anti-corrosion.
3. Starting speed is very stable and moisture in the pipeline can be expelled so that the service life of the pipe is increasing. The motor is equipped with temperature Protection switching valve to enable it not to be burnt out even seized with substance.
4. Various models are available for the choice of the customers. Manual control model and non-manual control model are also workable. Upon power outage, it can be switched manually. It is simple design with less fitting accessories. So, one electric wire can complete, automatic control in order to save workmanship, materials, and money for the customers to attain the goal for automation.

MATERIALS OF CONSTRUCTION

No.	Parts	Pcs.	Materials	No.	Parts	Pcs.	Materials
1	Body	1	UPVC, PP, PVDF, CPVC, PPG	6	Stem	1	SUS410/304/316
2	Seat	1	EPDM, VITON, NBR, HYPALON	7	Stem O'ring	2	EPDM.VITON
3	Disc	1	UPVC, PP, PVDF, CPVC, PPG	8	Electric Actuator	1	
4	Disc O'ring(A)	2	EPDM, VITON	9	Mounting Bracket	1	SUS304
5	Disc O'ring(B)	2	EPDM, VITON	10	Coupling	1	ZINC, PLATED, CARBON STEEL

BUTTERFLY VALVE (ELECTRIC ACTUATED TYPE)



DN50~DN350

DIMENSIONS TABLE

JIS																	Unit: mm	
Nom-Size DN(inch)	D1	D2	D3	e	n No. of holes	L	L1	H1	H2	H3	H4	I	A	F	Test Press (kgf/cm ²)		Working Press (kgf/cm ²)	Allowed Voltage (W/A)
															Body	Seat		
50(2")	57	120	160	19	4	35	42	83	102	61	145	391	150	28	15.0	12.0	10.0	110/220
65(2-1/2")	70	140	184	19	4	37	46	92	110	61	145	408	150	28	15.0	12.0	10.0	110/220
80(3")	80	150	200	19	8	37	46	100	118	61	145	424	150	28	15.0	12.0	10.0	110/220
100(4")	102	175	230	19	8	47	56	115	134	61	145	455	150	28	15.0	12.0	10.0	110/220
125(5")	130	210	254	23	8	57	66	127	160	61	145	493	150	28	15.0	12.0	10.0	110/220
150(6")	153	240	290	23	8	62	71	145	177	71	200	593	190	23	15.0	12.0	10.0	110/220
200(8")	203	290	337	23	12	76	87	168	204	71	200	643	190	23	15.0	12.0	10.0	110/220
250(10")	255	355	400	25	12	96	111	200	235	71	200	706	190	23	15.0	12.0	10.0	110/220
300(12")	312	400	483	25	16	116	132	239	289	71	200	799	190	23	10.5	8.5	7.0	110/220
350(14")	358	445	520	25	16	116	132	259	305	71	200	835	190	23	10.5	8.5	7.0	110/220

ANIS																	Unit: inch	
Nom-Size DN(inch)	D1	D2	D3	e	n No. of holes	L	L1	H1	H2	H3	H4	I	A	F	Test Press (lb/in ²)		Working Press (lb/in ²)	Allowed Voltage (W/A)
															Body	Seat		
50(2")	2.24	4.75	6.30	0.75	4	1.38	1.65	3.27	4.01	2.36	5.71	15.39	5.91	1.10	222	177	150	110/220
65(2-1/2")	2.83	5.50	7.24	0.75	4	1.46	1.81	3.62	4.33	2.36	5.71	16.06	5.91	1.10	222	177	150	110/220
80(3")	3.15	6.00	7.87	0.75	4	1.46	1.81	3.94	4.64	2.36	5.71	16.69	5.91	1.10	222	177	150	110/220
100(4")	4.01	7.50	9.06	0.75	8	1.85	2.20	4.53	5.28	2.36	5.71	17.91	5.91	1.10	222	177	150	110/220
125(5")	5.12	8.50	10.00	0.87	8	2.24	2.60	5.00	6.30	2.36	5.71	19.41	5.91	1.10	222	177	150	110/220
150(6")	6.02	9.50	11.42	0.87	8	2.44	2.80	5.71	6.97	2.80	7.87	23.35	7.48	0.91	222	177	150	110/220
200(8")	7.99	11.75	13.27	0.87	8	2.99	3.43	6.61	8.03	2.80	7.87	35.31	7.48	0.91	222	177	150	110/220
250(10")	10.00	14.25	15.75	0.98	12	3.78	4.37	7.87	9.25	2.80	7.87	27.79	7.48	0.91	222	177	150	110/220
300(12")	12.28	17.00	19.02	0.98	12	4.57	5.20	9.41	11.38	2.80	7.87	31.46	7.48	0.91	155	125	105	110/220
350(14")	14.09	18.75	20.47	1.14	12	4.57	5.20	10.20	12.01	2.80	7.87	32.87	7.48	0.91	155	125	105	110/220

DIS																	Unit: mm	
Nom-Size DN(inch)	D1	D2	D3	e	n No. of holes	L	L1	H1	H2	H3	H4	I	A	F	Test Press (kgf/cm ²)		Working Press (kgf/cm ²)	Allowed Voltage (W/A)
															Body	Seat		
50(2")	57	125	166	18	4	35	42	83	102	61	145	391	150	28	15.0	12.0	10.0	110/220
65(2-1/2")	72	145	184	18	4	37	46	92	110	61	145	408	150	28	15.0	12.0	10.0	110/220
80(3")	80	160	200	18	8	37	46	100	118	61	145	424	150	28	15.0	12.0	10.0	110/220
100(4")	100	180	230	18	8	47	56	115	134	61	145	455	150	28	15.0	12.0	10.0	110/220
125(5")	130	210	254	18	8	57	66	127	160	61	145	493	150	28	15.0	12.0	10.0	110/220
150(6")	153	240	290	23	8	62	71	145	177	71	200	593	190	23	15.0	12.0	10.0	110/220
200(8")	203	295	337	23	8	76	87	168	204	71	200	643	190	23	15.0	12.0	10.0	110/220
250(10")	255	350	400	23	12	96	111	200	235	71	200	706	190	23	15.0	12.0	10.0	110/220
300(12")	312	400	483	23	12	116	132	239	289	71	200	799	190	23	10.5	8.5	7.0	110/220
350(14")	358	460	520	23	16	116	132	259	305	71	200	835	190	23	10.5	8.5	7.0	110/220

※ Standard dimensions based on PVC material Standard