

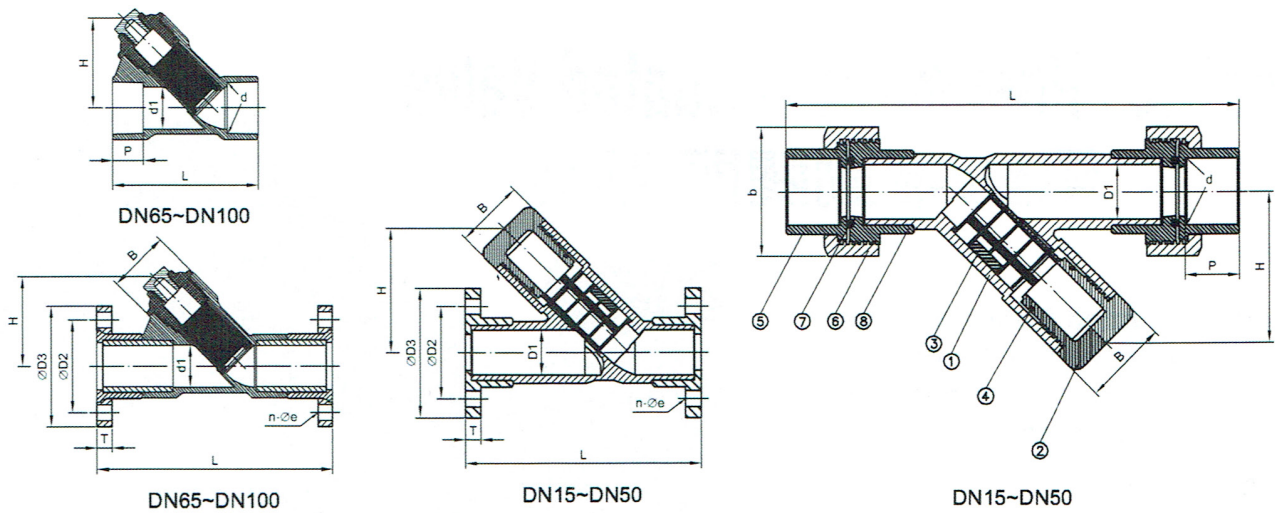


CHYS Series Y型过滤器

SOCKET / THREAD / FLANGED
SIZE: 1/4"-2"

MATERIALS OF CONSTRUCTION

No.	Parts	Pcs.	Materials
1	Body	1	UPVC
2	Lid	1	UPVC
3	Screen	1	UPVC
4	Body O'ring	1	EPDM, VITON
5	Gonnector	2	UPVC
6	Union Nut	2	UPVC
7	Union O'ring	2	EPDM, VITON
8	Flange	2	UPVC



DIMENSIONS TABLE

JIS														Unit: mm	
Nom.Size DN-inch	D1	D2	D3	d		øe	n	P	L			B	T	H	b
				SOCKET	THREAD				SOCKET	THREAD	FLANGE				
15-1/2"	15.0	70	95	22	PT 1/2"	15	4	22.2	205.0	205.0	147.0	35.0	15	70.0	46
20-3/4"	20.0	75	100	26	PT 3/4"	15	4	25.4	234.0	234.0	167.0	39.0	15	80.0	61
25-1"	26.0	90	125	32	PT1"	19	4	28.6	250.0	250.0	178.0	47.0	17	95.0	70
				(CNS) 34											67
32-1-1/4"	32.0	100	135	38	PT 1-1/4"	19	4	31.8	283.0	283.0	202.0	55.0	17	110.0	81
				(CNS) 42											89
40-1-1/2"	40.0	105	140	48	PT 1-1/2"	19	4	34.9	312.0	312.0	212.0	70.0	17	132.0	89
50-2"	50.0	120	155	60	PT 2"	19	4	38.1	350.0	350.0	236.0	81.0	20	155.0	101
65-2-1/2"	60.6	140	175	76	PT 2-1/2"	19	4	44.5	209.5	209.5	262.5	89.5	20	137.1	150
80-3"	80.0	150	185	89	PT 3"	19	8	47.6	244.5	244.5	302.5	109.3	23	163.8	184
100-4"	100.0	175	210	114	PT 4"	19	8	57.1	297.0	297.0	356.0	136.1	23	199.2	199

ANIS														Unit: inch	
Nom.Size DN-inch	D1	D2	D3	d		øe	n	P	L			B	T	H	b
				SOCKET	THREAD				SOCKET	THREAD	FLANGE				
15-1/2"	0.59	2.38	3.50	0.84	NPT1/2"	0.63	4	0.88	8.07	8.07	5.79	1.37	0.59	2.76	1.81
20-3/4"	0.79	2.75	3.88	1.05	NPT3/4"	0.63	4	1.00	9.21	9.21	6.57	1.53	0.63	3.15	2.40
25-1"	1.02	3.13	4.25	1.31	NPT111	0.63	4	1.13	9.84	9.84	7.01	1.85	0.67	3.74	2.76
32-1-1/4"	1.26	3.50	4.63	1.66	NPT 1-1/4"	0.63	4	1.25	11.14	11.14	7.95	2.16	0.67	4.33	3.19
40-1-1/2"	1.57	3.88	5.00	1.89	NPT 1-1/2"	0.63	4	1.38	12.28	12.28	8.35	2.75	0.71	5.20	3.50
50-2"	1.97	4.75	6.00	2.37	NPT 2"	0.75	4	1.50	13.78	13.77	9.29	3.18	0.79	6.10	3.98
65-2-1/2"	2.39	5.50	7.00	2.87	NPT 2-1/2"	0.75	4	1.75	8.25	8.25	10.33	3.52	0.79	5.40	5.91
80-3"	3.15	6.00	7.50	3.49	NPT 3"	0.75	4	1.88	9.63	9.63	11.91	4.30	0.90	6.45	7.24
100-4"	3.94	7.50	9.00	4.49	NPT 4"	0.75	8	2.25	11.69	11.69	14.02	5.36	0.90	7.84	7.83

DIN														Unit: mm	
Nom.Size DN-inch	D1	D2	D3	d		øe	n	P	L			B	T	H	b
				SOCKET	THREAD				SOCKET	THREAD	FLANGE				
15-1/2"	15.0	65	95	20	PT 1/2"	14	4	16.0	205.0	205.0	147.0	35.0	15	70.0	46
20-3/4"	20.0	75	105	25	PT 3/4"	14	4	18.5	234.0	234.0	167.0	39.0	16	80.0	61
25-1"	26.0	85	115	32	PT1"	14	4	22.0	250.0	250.0	178.0	47.0	17	95.0	70
32-1-1/4"	32.0	100	140	40	PT 1-1/4"	18	4	26.0	283.0	283.0	202.0	55.0	17	110.0	81
40-1-1/2"	40.0	100	150	50	PT 1-1/2"	18	4	31.0	312.0	312.0	212.0	70.0	17	132.0	88
50-2"	50.0	125	165	63	PT 2"	18	4	37.5	350.0	350.0	236.0	81.0	20	155.0	101
65-2-1/2"	60.6	145	185	75	PT 2-1/2"	18	4	43.5	209.5	209.5	262.5	89.5	20	137.1	150
80-3"	80.0	160	200	90	PT 3"	18	8	51.0	244.5	244.5	302.5	109.3	23	163.8	184
100-4"	100.0	180	220	110	PT 4"	18	8	61.0	297.0	297.0	356.0	136.1	23	199.2	199