



CHFV-2 Series 弹簧式福特阀

**SOCKET / THREAD
SIZE: 1/2"-2"**

**Test Press: 15kgf/cm2(bar)
225psi**

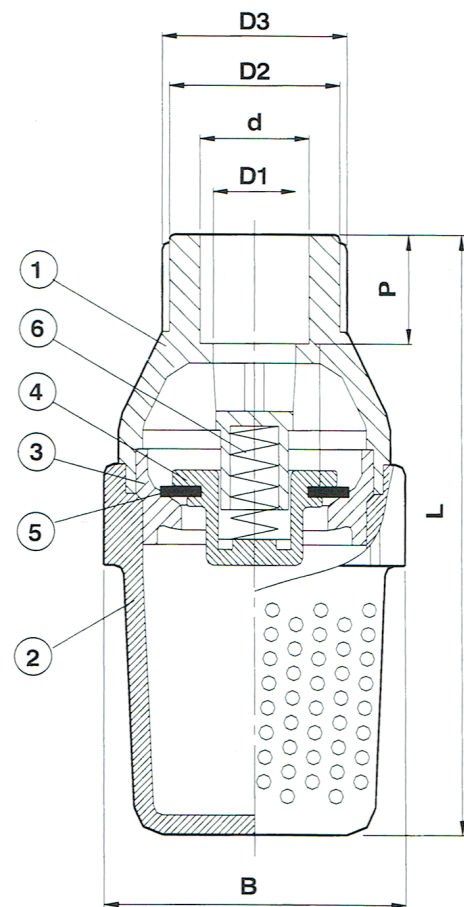
**Working Press: 10kgf/cm2(bar)
150psi**

MATERIALS OF CONSTRUCTION

| NO | PART | MATERIAL | Q'TY |
|----|----------------|----------|------|
| 1 | UPPER BODY | UPVC | 1 |
| 2 | FILTER | UPVC | 1 |
| 3 | CONNECTIR SEAT | UPVC | 1 |
| 4 | SPIGOT | UPVC | 1 |
| 5 | SEAL | EPDM | 1 |
| 6 | SPRING | SUS304 | 1 |

DIMENSIONS TABLE

| Nom | | SIZE | 15mm (1/2") | 20mm (3/4") | 25mm (1") | 32mm (1-1/4") | 40mm (1-1/2") | 50mm (2") |
|-----|----------------|--------|----------------|----------------|--------------|------------------|------------------|--------------|
| d | JIS (mm) | Socket | 20 | 26 | 32 | 38 | 48 | 60 |
| | | Thread | PT1/2 | PT3/4 | PT1 | PT1-1/4 | PT1-1/2 | PT2 |
| | ANSI (inch) | Socket | 0.840 | 1.050 | 1.315 | 1.660 | 1.900 | 2.375 |
| | | Thread | NPT1/2 | NPT3/4 | NPT1 | NPT1-1/4 | NPT1-1/2 | NPT2 |
| | DIN (mm) | Socket | 20 | 25 | 32 | 40 | 50 | 63 |
| | | Thread | R1/2 | R3/4 | R1 | R1-1/4 | R1-1/2 | R2 |
| P | JIS(mm) | | 22.2 | 25.4 | 28.6 | 31.8 | 34.9 | 38.1 |
| | ANSI(inch) | | 0.875 | 1.000 | 1.125 | 1.250 | 1.375 | 1.500 |
| | DIN(mm) | | 16.0 | 18.5 | 22.0 | 26.0 | 31.0 | 37.5 |
| D1 | | | 17 | 21 | 28 | 35 | 40 | 52 |
| D2 | | | 35 | 35 | 45 | 52 | 60 | 73 |
| D3 | | | 37 | 37 | 47 | 54 | 62 | 75 |
| B | | | 56 | 56 | 71 | 102 | 102 | 114 |
| L | | | 129 | 129 | 149 | 173 | 173 | 211 |



DN15~DN50