



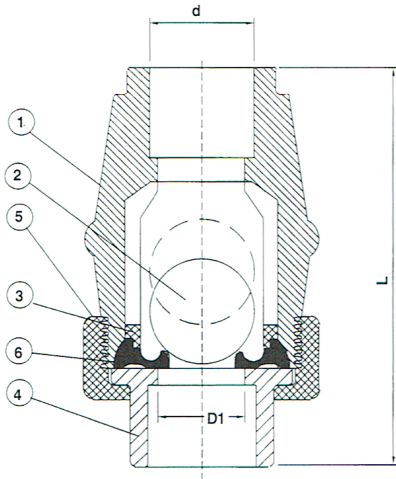
CHCV-3 Series 球型逆止凡而/直式

SOCKET / THREAD / FLANGED  
SIZE: 1/2"-10"

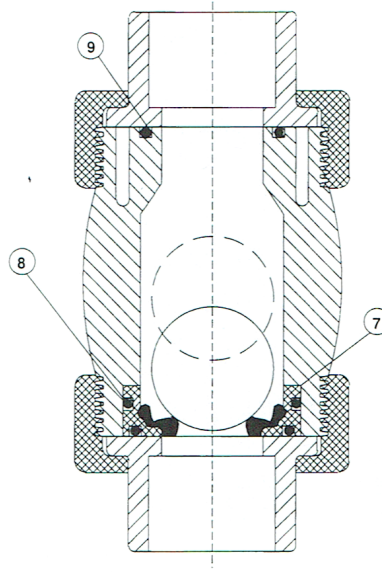
MATERIALS OF CONSTRUCTION

No.	Parts	Pcs.	Materials
1	Body	1	UPVC, PP, CPVC, PVDF
2	Ball	1	UPVC, PP, CPVC, PVDF
3	Washer	1	UPVC, PP, CPVC, PVDF
4	End Connector	1...DN15-50 2...DN65-100	UPVC, PP, CPVC, PVDF
5	Union Nut	1...DN15-50 2...DN65-100	UPVC, PP, CPVC, PVDF
6	Seat	1	EPDM, VITON
7	Seat Carrier	1	UPVC, PP, CPVC, PVDF
8	Seat Carrier O'ring	1	EPDM, VITON
9	Solid End O'ring	1	EPDM, VITON
10	Flanged End	2...DN15-100 1...DN 150-250	UPVC, PP, CPVC, PVDF
11	Reinforcement Plate	4...DN150 8...DN250	SUS304(150A-250A)
12	Bolts on Reinforcement Plate	10...DN150 20...DN250	SUS304

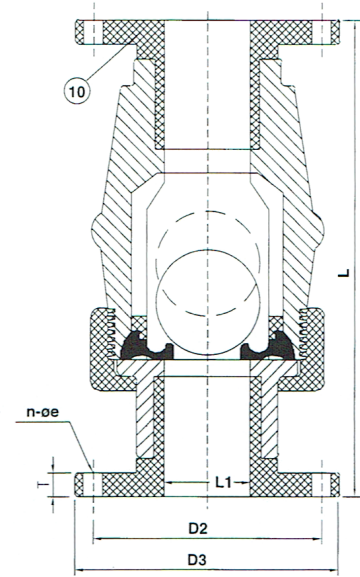
size	Min.Open Close Pressure kg/cm2(bar)	
	Open	Close
1/2"	0.05	0.2
3/4"	0.05	0.3
1"	0.05	0.3
	0.10	0.3
1-1/2"	0.10	0.3
2"	0.10	0.3
2-1/2"	0.10	0.3
3"	0.10	0.2
4"	0.10	0.2
6"		
10"		



15A(1/2")~50A(2")



65A(2-1/2")~100A(4")



FLANGED  
15A(1/2")~250A(10")

SPECIFICATIONS

1. Test Press: ① {15mm(1/2")~100mm(4") : 15kgf/cm <sup>2</sup> (bar){225lb/in <sup>2</sup> }	2. Working Press: ① {15mm(1/2")~100mm(4") : 10kgf/cm <sup>2</sup> (bar){150lb/in <sup>2</sup> }
② {150mm(6") : 10kgf/cm <sup>2</sup> (bar) (150lb/in <sup>2</sup> )}	② {150mm(6") : 7kgf/cm <sup>2</sup> (bar) (100lb/in <sup>2</sup> )}
③ {250mm(10") : 5kgf/cm <sup>2</sup> (bar) (75lb/in <sup>2</sup> )}	③ {250mm(10") : 3kgf/cm <sup>2</sup> (bar) (45lb/in <sup>2</sup> )}

DIMENSIONS TABLE

Nom. Size DN-inch	JIS										ANSI										DIN												
	Unit: mm										Unit: inch										Unit: mm												
D1	d		D2	D3	n	oe	L			T	D1	d		D2	D3	n	oe	L			T	D1	d		D2	D3	n	oe	L			T	
	Screw	Socket					Screw	Socket	Range			Screw	Socket					Range	Screw	Socket			Range	Screw					Socket	Flange			
15-1/2"	15	PT	22	70	95	4	15	98	98	135	15	0.59	NPT	0.84	2.375	3.500	4	0.63	3.85	3.85	5.43	0.59	15	R1/2	20	65	95	4	14	98	98	135	15
20-3/4"	20	PT	26	75	100	4	15	119	119	159	16	0.79	NPT	1.05	2.750	3.785	4	0.63	4.68	4.68	6.25	0.59	20	R3/4	25	75	105	4	14	119	119	159	15
25-1"	26	PT	32	90	125	4	19	124	124	167	17	0.98	NPT	1.32	3.125	4.250	4	0.63	4.88	4.88	6.57	0.66	26	R1	32	85	115	4	14	124	124	167	17
32-1-1/4"	36	PT	38	100	135	4	19	155	155	198	16	1.42	NPT	1.67	3.500	4.625	4	0.63	6.10	6.10	7.79	0.67	36	R1-1/4	40	100	140	4	18	155	155	198	17
40-1-1/2"	36	PT	48	105	145	4	19	155	155	202	18	1.57	NPT	1.91	3.875	5.000	4	0.63	6.10	6.10	7.89	0.7	36	R1-1/2	50	110	150	4	18	155	155	202	17
50-2"	50	PT	60	120	155	4	19	180	180	234	21	1.96	NPT	2.38	4.750	6.000	4	0.75	7.09	7.09	9.09	0.78	40	R2	63	125	165	4	18	180	180	234	20
65-2-1/2"	65	PT	76	140	175	4	19	226	226	276	20	2.36	NPT	2.88	5.500	7.000	4	0.75	8.89	8.89	10.87	0.8	65	R2-1/2	75	145	185	4	18	226	226	276	20
80-3"	80	PT	89	150	185	8	19	274	274	330	E0.5	3.15	NPT	3.51	6.000	7.500	4	0.75	10.79	10.79	12.99	0.9	80	R3	90	160	200	8	18	274	274	330	20
10-4"	100	PT	114	175	210	8	19	367	367	417	20	3.74	NPT	4.51	7.500	9.000	8	0.75	14.45	14.45	16.41	0.92	100	R4	110	180	220	8	18	367	367	417	20
150-6"	150	-	-	240	280	8	23	-	-	480	23	-	-	-	9.500	11.000	8	0.88	-	-	18.90	0.87	150	-	-	240	285	8	23	-	-	480	23
250-10"	250	-	-	355	400	12	25	-	-	670	25	-	-	-	14.250	16.000	12	1.00	-	-	26.38	0.94	250	-	-	350	395	12	25	-	-	670	25

※ 本尺表以 PVC 材质为准, 本表试压值以 PVC、PVDF 材质为基准, PP 材质试压值为本表试压值之 70%。  
 ※ 法兰长度公差依据 EN558-1; 1995 标准

※ The dimension table is calculably based on PVC material.  
 The value of test pressure is calculably based on PVC PVDF material.  
 The value of test pressure for PP material is 70% based on the table.  
 The flanged length tolerance is according to EN558:1995.