

CHBF-4 Series 旋转凡而全法兰齿轮式

Size: 8" - 24"

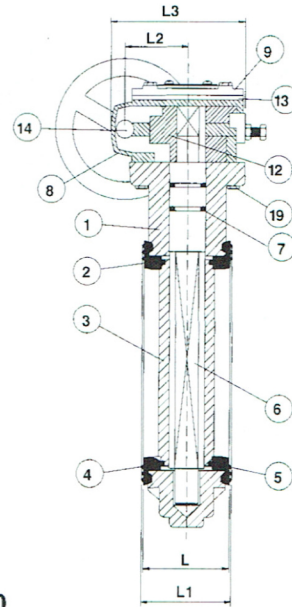
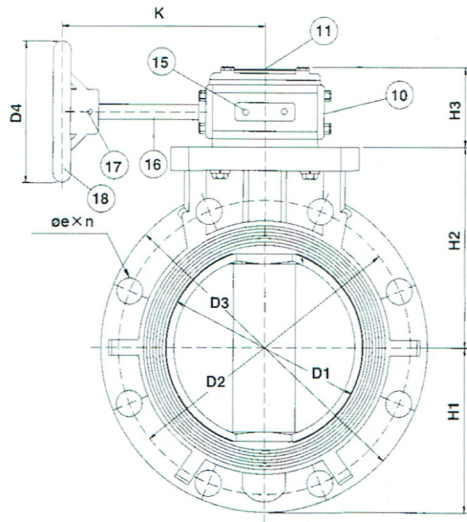
*OPTION: 8"(DN200) Lever type

MATERIALS OF CONSTRUCTION

No.	Parts	Pcs.	Materials	No.	Parts	Pcs.	Materials
1	Body	1	UPVC, PP.CPVC, PPG, PVDF	11	Indicator Plate	1	PVC
2	Seat	1	EPDM, VITON, NBR, HYPALON	12	Gear	1	FCD45
3	Disc	1	UPVC, PP.CPVC, PPG, PVDF	13	Oil Seal	1	EPDM
4	Disc O'ring(A)	2	EPDM, VITON	14	Bearing	1	SMCm220/420/810
5	Disc O'ring(B)	2	EPDM, VITON	15	Adjustable Bolt	2	SS41
6	Stem	1	SUS410, SUS304, SUS316	16	Gearing	1	SS41
7	Stem O'ring	2	EPDM, VITON	17	Set Pin	1	K7
8	Gear Box	1	FC25	18	Hand Wheel	1	FC25
9	Gear Box Cap	1	FC25	19	Tightening Bolt	4	SCM3,SUS304
10	Side Cap	1	FC25				

TORQUE VALUES (1kgf/m=9.8N.m)

BF-V'S Size	Torque Under Without Any Water Pressure (kgf/m)	Under Water Testing Pressure (Kg/cm ²)			BF-V'S Size	Torque Under Without Any Water Pressure (kgf/m)	Under Water Testing Pressure (Kg/cm ²)		
		Water Pressure (kgf/m ²)	Open Torque (kgf/m)	Close Torque (kgf/m)			Water Pressure (kgf/m ²)	Open Torque (kgf/m)	Close Torque (kgf/m)
2"	1.5	15	0.5	0.5	12"	27.0	6	14	18
2-1/2"	1.5	15	0.5	0.5	14"	37.0	6	25	28
3"	2.0	15	1	1.5	16"	42.0	-	-	-
4"	2.0	12	1	1.5	18"	52.0	-	-	-
5"	5.0	12	2.5	4.5	20"	65.0	-	-	-
6"	6.5	12	4	7	24"	76.0	-	-	-
8"	10.0	10	6	8.5	28"				
10"	17.0	8	7	10					



DN200~DN600

DIMENSIONS TABLE

JIS																	Unit: mm	
Nom. Size DN(inch)	D1	D2	n	0e	D3	L	L1	H1	H2	H3	K	L2	L3	D4	Test Press (kgf/cm ²)		Working Press (kgf/cm ²)	
															Body	Seat		
200(8")	203	290	12	23	337	76	87	168	204	69	178	51	136	178	15.0	12.0	10.0	
250(10H)	255	355	12	25	400	96	111	200	235	69	178	51	136	178	15.0	12.0	10.0	
300(12")	312	400	16	25	483	116	132	239	289	103	212	72	189	230	10.5	8.5	7.0	
350(14")	355	445	16	25	520	116	132	259	305	103	212	72	189	300	10.5	8.5	7.0	
400(16")	398	510	16	27	600	153	169	302	353	103	212	72	189	355.8	9.0	7.0	6.0	
450(18")	451	565	20	27	640	166	181	317	365	121	269	116	285	464	7.5	6.0	5.0	
500(20")	500	620	20	27	711	171	190	365	405	121	330	116	285	464	5.0	4.0	3.5	
600(24")	600	730	24	33	813	191	209	425	460	121	330	116	285	464	5.0	4.0	3.5	

ANSI																	Unit: inch	
Nom. Size DN(inch)	D1	D2	n	0e	D3	L	L1	H1	H2	H3	K	L2	L3	D4	Test Press (lb/in ²)		Working Press (lb/in ²)	
															Body	Seat		
200(8")	7.99	11.75	8	0.88	13.27	2.99	3.43	6.61	8.03	2.72	7.01	2.01	5.35	7	222	177	150	
250(10")	10	14.25	12	0.98	15.75	3.78	4.37	7.87	9.25	2.72	7.01	2.01	5.35	7	222	177	150	
300(12")	12.28	17.00	12	0.98	19.02	4.57	5.20	9.41	11.38	4.05	8.35	2.83	7.44	9.06	155	125	105	
350(14")	13.97	18.75	12	1.14	20.47	4.57	5.20	10.20	12.01	4.05	8.35	2.83	7.44	11.81	155	125	105	
400(16")	15.69	21.25	16	1.14	23.62	6.02	6.65	11.89	13.90	4.05	8.35	2.83	7.44	14.01	133	103	88	
450(18")	17.75	22.75	16	1.26	25.20	6.54	7.13	12.48	14.37	4.76	10.59	4.57	11.22	18.27	111	88	74	
500(20")	19.70	25.00	20	1.26	27.99	6.73	7.48	14.37	15.94	4.76	12.99	4.57	11.22	18.27	74	59	52	
600(24")	23.66	29.50	20	1.38	32.00	7.52	8.23	16.73	18.11	4.76	12.99	4.57	11.22	18.27	74	59	52	

DIN																	Unit: mm	
Nom. Size DN(inch)	D1	D2	n	0e	D3	L	L1	H1	H2	H3	K	L2	L3	D4	Test Press (kgf/cm ²)		Working Press (kgf/cm ²)	
															Body	Seat		
200(8")	203	290	12	23	337	76	87	168	204	69	178	51	136	178	15.0	12.0	10.0	
250(10H)	255	355	12	25	400	96	111	200	235	69	178	51	136	178	15.0	12.0	10.0	
300(12")	312	400	16	25	483	116	132	239	289	103	212	72	189	230	10.5	8.5	7.0	
350(14")	355	445	16	25	520	116	132	259	305	103	212	72	189	300	10.5	8.5	7.0	
400(16")	398	510	16	27	600	153	169	302	353	103	212	72	189	355.8	9.0	7.0	6.0	
450(18")	451	565	20	27	640	166	181	317	365	121	269	116	285	464	7.5	6.0	5.0	
500(20")	500	620	20	27	711	171	190	365	405	121	330	116	285	464	5.0	4.0	3.5	
600(24")	600	730	24	33	813	191	209	425	460	121	330	116	285	464	5.0	4.0	3.5	

※ Standard dimensions based on PVC material Standard