



CHBF-3 Serise 通用型蝶阀

Size: 2" - 8"

End Type: Flanged

Test Pressure: 225 PSI

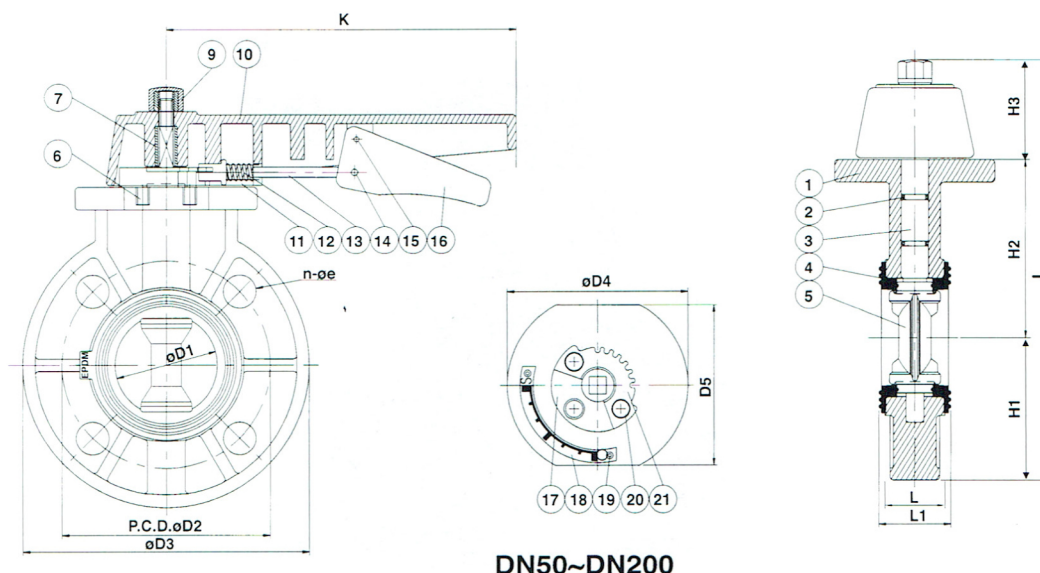
Working Pressure: 150 PSI

- Corrosion resistance
- Excellent flow characteristics.
- Lower flow loss.
- Compact and lightweight designs in an energy-saving and cost-efficient Butterfly Valve.
- With clear indication of disc opening degree.
- Ideally suited for flow control in a minimum piping space.

MATERIALS OF CONSTRUCTION

No.	Parts	Pcs	Materials	No.	Parts	Pcs	Materials
1	Body	1	UPVC, PP, CPVC, PVDF	12	Spring		SUS 304
2	Stem O'ring	2	EPDM, VITON	13	Lever	1	SUS 304
3	Stem	1	SUS410, SUS316	14	Setpin(Short)	1	SUS 304
4	Seat	1	EPDM, VITON, NBR	15	Setpin(Long)	1	SUS 304
5	Disc	1	UPVC, PP, CPVC, PVDF	16	Lever	1	ABS
6	Bolt	1	BRASS, SUS 304	17	Positioner	1	UPVC
7	Handle Insert	1	FC 0208	18	Indicator	1	SUS 304
9	Stem Bolt	1	UPVC, BRASS	19	Bolt	2	SUS 304
10	Handle	1	ABS	20	Bolt	3	SUS 304
11	Handle Cap	1	ABS	21	Teeth Plate		SUS 304

BUTTERFLY VALVE-Universal Type(with actuator direct mounting pad)Lever Handle Type



DN50~DN200

TORQUE VALUES (1kgf/m=9.8N.m)

AT Water								
	W/O Pressure (kgf.m)		Pressure at 50PSI (kgf.m)		Pressure at 100PSI (kgf.m)		Pressure at 150PSI (kgf.m)	
	Open	Close	Open	Close	Open	Close	Open	Close
2"	0.80	0.80	0.80	1.00	0.80	1.00	1.00	1.00
3"	2.50	2.50	3.00	3.00	2.50	2.50	3.00	3.00
4"	2.50	3.00	3.00	3.00	3.00	3.00	3.00	3.00
6"	8.00	9.00	8.00	8.00	7.50	8.00	6.00	7.00
8"	10.00	11.00	11.00	11.00	10.50	10.50	9.50	9.50

DIMENSIONS TABLE

JIS													Unit: mm
Nom.size DN(inch)	D1	D2	D3	n	L	L1	D4	H1	H2	H3	I	K	D5
50(2")	55	123	164	4	38	41	105	82	107	63	252	204	93
80(3")	78	151.8	196	8	42	45	127	98	123	63	284	204	95
100(4")	100	182	225	8	48	51	134	112.5	139.5	68	320	253	100
150(6")	152	240	286	8	51	54	170	143	178	86	407	297	101
200(8")	200	290	344	12	61	64	191	172	212	86	470	297	110

ANSI													Unit: inch
Nom.size DN(inch)	D1	D2	D3	n	L	L1	D4	H1	H2	H3	I	K	D5
50(2")	2.16	4.84	6.46	4	1.50	1.61	4.13	3.23	4.21	2.48	9.92	8.03	3.66
80(3")	3.07	5.97	7.72	4	1.65	1.77	5.00	3.86	4.84	2.48	11.18	8.03	3.74
100(4")	3.94	7.16	8.85	8	1.89	2.00	5.27	4.43	5.49	2.68	12.60	9.96	3.94
150(6")	5.98	9.44	11.26	8	2.20	2.13	6.69	9.63	7.00	3.39	16.02	11.69	3.98
200(8")	7.87	11.70	13.54	8	2.40	2.52	7.52	6.77	8.35	3.39	18.50	11.69	4.31

DIN													Unit: mm
Nom.size DN(inch)	D1	D2	D3	n	L	L1	D4	H1	H2	H3	I	K	D5
50(2")	55	123	164	4	38	41	105	82	107	63	252	204	93
80(3")	78	151.8	196	8	42	45	127	98	123	63	284	204	95
100(4")	100	182	225	8	48	51	134	112.5	139.5	68	320	253	100
150(6")	152	240	286	8	51	54	170	143	178	86	407	297	101
200(8")	200	295	344	8	61	64	191	172	212	86	470	297	110

※ Standard dimensions based on PVC material Standard