



CHBF-1 Series 超大型旋转凡而

WWSize: Ø700(28")~ Ø1200(48")

MATERIAL: UPVC, PP, CPVC, PPG, PVDF

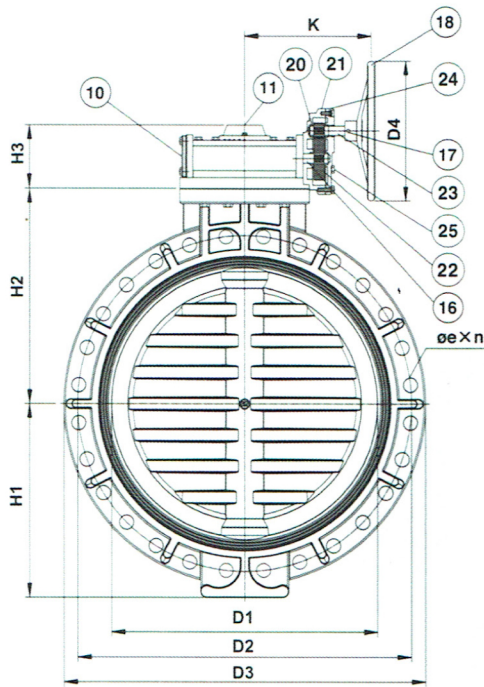
MODEL: Gear operated type (齿轮式), Chaining type (链条式)
Hydraulic type (油压式), Pneumatin type (气压式)

FEATURES:

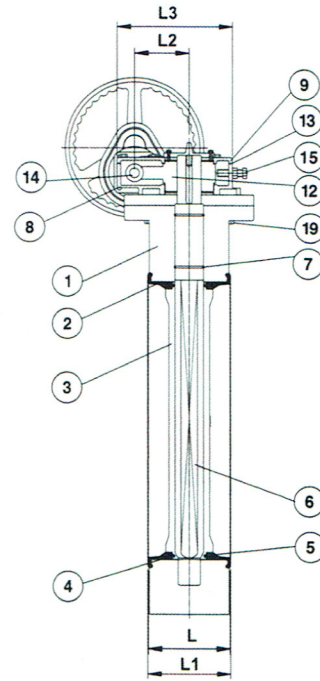
- Fullport allowing max. fluid flow•全口径、流量足。
- ECONOMIC EQUIPMENT:Fluid control plate conealed in piping system, space saved, 设备经济、控制流量的活版、隐藏于管路中、佔管路配置极小的空间。
- EASY OPERATION-90° open and close, long duration, 操作简便 ,90°开关使用寿命长。
- WIDE APPLICATION RANGE-Acid &aik all resistance, anti-corrosion, and suitable for fluid and air use. 用途极广，可耐强酸，强硷并适用于液体及气体。

MATERIALS OF CONSTRUCTION

No.	Parts	Pcs.	Materials	No.	Parts	Pcs.	Materials
1	Body	1	PP, PPG	14	Bearing	1	STEEL
2	Seat	1	EPDM, VITON, NBR, HYPALON	15	Adjustable Bolt	2	STEEL
3	Disc	1	UPVC, PP, CPVC, PPG, PVDF	16	WORM SHAFT	1	STEEL
4	Disc O'ring(A)	2	EPDM, VITON	17	Set Pin	1	K7
5	Disc O'ring(B)	2	EPDM, VITON	18	Hand Wheel	1	CAST IRON
6	Stem	1	SUS410	19	Tightening Bolt	4	SUS304
7	Stem O'ring	2	EPDM, VITON	20	Bearing	4	COPPER
8	Gear Box	1	CAST IRON	21	SPUR GEAR BODY	1	CAST IRON
9	Gear Box Cap	1	CAST IRON	22	SPUR GEAR	1	STEEL
10	Side Cap	1	CAST IRON	23	SPUR GEAR SHAFT	1	STEEL
11	Inicator Plate	1	CAST IRON	24	SPUR GEAR COVER	1	CAST IRON
12	Gear	1	DUCTILE IRON	25	BOLT	6	STEEL
13	Oil Seal	1	PAPER				



DN700~DN1200



DIMENSIONS TABLE

JIS														Unit: mm	
Nom. size DN(inch)	D1	D2	D3	n	e	H1	H2	H3	K	D4	L	L1	Test Press (kgf/cm ²)	Working Press (kgf/cm ²)	
700(28")	680	840	928	24	33	499	563	125	306	406	200	206	4	3	
800(32")	780	950	1060	28	33	565	630	142	370	406	234	244	4	3	
900(36")	870	1050	1178	28	33	624	694	142	370	406	234	245	4	3	
1000(40")	970	1160	1286	28	39	684	762	210	471	508	294	301	4	3	
1100(44")	1070	1275	1403	28	39	712	823	210	471	508	294	301	3	2	
1200(48")	1170	1380	1512	32	39	776	876	210	471	508	294	301	3	2	

ANSI														Unit: mm	
Nom. size DN(inch)	D1	D2	D3	n	e	H1	H2	H3	K	D4	L	L1	Test Press (kgf/cm ²)	Working Press (kgf/cm ²)	
700(28")	26.77	33.99	36.54	24	1.37	19.65	22.17	5.51	12.04	16	7.87	8.11	57	43	
800(32")	30.70	38.50	41.73	24	1.61	22.24	24.80	5.59	14.58	16	9.21	9.60	57	43	
900(36")	34.25	42.75	46.38	32	1.62	24.57	27.32	5.59	14.58	16	9.21	9.64	57	43	
1000(40")	38.18	46.25	50.63	32	1.62	26.93	30.00	8.27	18.54	20	11.57	11.85	57	43	
1100(44")	42.12	51.75	55.25	40	1.62	28.03	32.48	8.27	18.54	20	11.57	11.85	43	28	
1200(48")	46.06	56.00	59.52	44	1.62	30.55	34.48	8.27	18.54	20	11.57	11.85	43	28	

DIN														Unit: mm	
Nom. size DN(inch)	D1	D2	D3	n	e	H1	H2	H3	K	D4	L	L1	Test Press (kgf/cm ²)	Working Press (kgf/cm ²)	
700(28")	680	840	928	24	30	499	563	125	306	406	200	206	4	3	
800(32")	780	950	1060	24	33	565	630	142	370	406	234	244	4	3	
900(36")	870	1050	1178	28	33	624	694	142	370	406	234	245	4	3	
1000(40")	970	1175	1286	28	36	684	762	210	471	508	294	301	4	3	
1100(44")	1070	-	1403	-	-	712	823	210	471	508	294	301	3	2	
1200(48")	1170	-	1512	32	39	776	876	210	471	508	294	301	3	2	

※ Standard dimensions based on PVC material Standard