

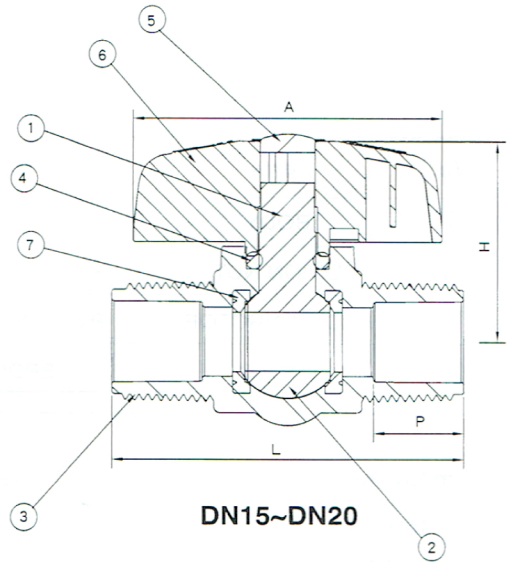


**CHPV-2 双外牙紧密型球阀**

Size: 1/2", 3/4"

**MATERIALS OF CONSTRUCTION**

No.	Parts	Pcs	Materials	No.	Parts	Pcs	Materials
1	Stem	1	UPVC	5	CAP	1	ABS
2	Ball	1	UPVC	6	HANDLE	1	ABS
3	Body	1	UPVC	7	SEAT	2	EPDM,PTFE
4	Stem O'ring	1	EPDM				



**DIMENSIONS TABLE**

Standards Nom. size DN-inch	JIS						ANSI						DIN					
	Unit: mm						Unit: inch						Unit: mm					
	d	P	L	H	A	Test Press Kg/cm <sup>2</sup>	d	P	L	H	A	Test Press lb/in <sup>2</sup>	d	P	L	H	A	Test Press Kg/cm <sup>2</sup>
15-1/2"	PT1/2	-	-	47	70	15	NP1/2	0.875	3.110	1.850	2.756	222	R1/2	16.0	79	47	70	15
20-3/4"	PT3/4	-	-	57	77	15	NP3/4	1.000	3.543	2.244	3.031	222	R3/4	18.5	90	57	77	15