



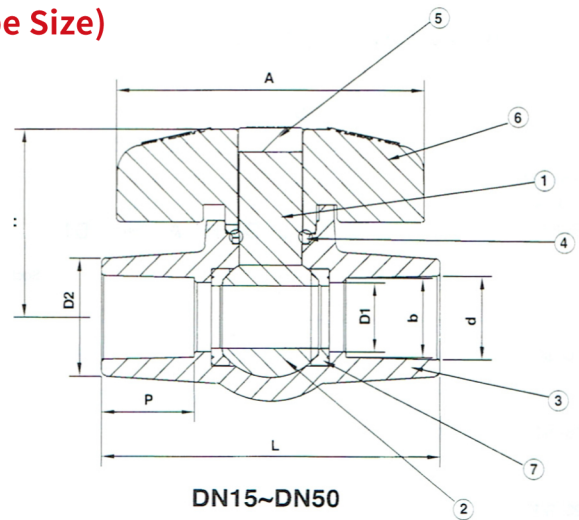
CHCTS Series 紧密型球阀 (热水铜管用)

SOCKET

Size: 1/2" - 2" (Copper Tube Size)

MATERIALS OF CONSTRUCTION

Item	Parts	Pcs	Materials
1	Stem	1	CPVC
2	Ball	1	CPVC
3	Body	1	CPVC
4	Stem O'ring	2	EPDM
5	Cap	2	ABS
6	Handle	1	ABS
7	Seat	2	PTFE



DIMENSIONS TABLE

Standards Nom. Size DN-Inch	DIMENSIONS								Unit: inch
	A	H	L	d	b	P	D1	D2	
15(1/2")	2.350	1.327	2.701	0.633	0.619	0.709	0.476	0.887	
20(3/4")	2.744	1.791	3.120	0.884	0.870	0.898	0.531	1.205	
25(1")	3.004	2.185	3.551	1.135	1.121	1.014	0.768	1.5	
32(1-1/4")	3.535	2.402	4.024	1.386	1.372	1.1	0.949	1.732	
40(1-1/2")	3.516	2.539	4.598	1.640	1.622	1.3	1.240	2.118	
50(2")	4.378	2.894	5.110	2.141	2.123	1.7	1.496	2.559	