

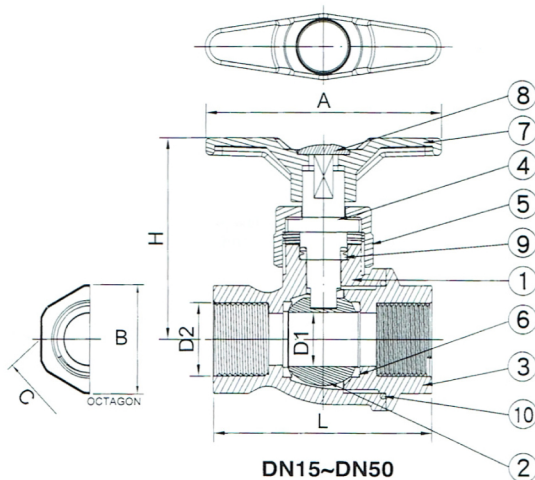


**CHBV-8 Series 自强型球阀**

**THREAD**  
**Size: DN15-DN50**

**MATERIALS OF CONSTRUCTION**

| No. | Parts         | Pcs | Materials | No. | Parts       | Pcs | Materials |
|-----|---------------|-----|-----------|-----|-------------|-----|-----------|
| 1   | Body          | 1   | UPVC      | 6   | Seat        | 1   | TEFLON    |
| 2   | Ball          | 1   | UPVC      | 7   | Handle      | 1   | ABS       |
| 3   | End Connector | 1   | UPVC      | 8   | Cap         | 1   | PP        |
| 4   | Stem          | 1   | UPVC      | 9   | Stem O-ring | 1   | EPDM      |
| 5   | Gland Nut     | 1   | UPVC      | 10  | Body O-ring | 1   | EPDM      |



**DIMENSIONS TABLE**

| DIMENSIONS            |    |        |         |       |     |     |     |    |    | Unit:mm                                 |
|-----------------------|----|--------|---------|-------|-----|-----|-----|----|----|---|
| Nom. Size.<br>DN-inch | D1 | D2     |         |       | L   | H   | A   | B  | C  | Working press<br>(kgf/cm <sup>2</sup> ) |
|                       |    | J1S    | ANSI    | DIN   |     |     |     |    |    |   |
| 15-1/2                | 13 | PT1/2  | NPT1/2  | R1/2  | 80  | 77  | 88  | 35 | 32 | 10                                      |
| 20-3/4                | 19 | PT3/4  | NPT3/4  | R3/4  | 89  | 80  | 88  | 45 | 41 | 10                                      |
| 25-1                  | 25 | PT1    | NPT1    | R1    | 104 | 93  | 109 | 50 | 46 | 10                                      |
| 32-1-1/4"             | 25 | PT11/4 | NPT11/4 | R11/4 | 117 | 93  | 109 | 60 | 55 | 10                                      |
| 40-1-1/2"             | 32 | PT11/2 | NPT11/2 | R11/2 | 129 | 115 | 133 | 73 | 69 | 10                                      |
| 50-2                  | 39 | PT2    | NPT2    | R2    | 149 | 120 | 133 | 83 | 79 | 10                                      |